

Morgan Lockinlyne Table System



Morgan's Lockinlyne is a versatile table system ideal for dining, banqueting and conference application. The system consists of a range of tables and tops in modular sizes which can be reliably linked in many configurations. The table legs can be fixed or folding for compact storage.

Top Size:

We offer various lengths with standard width of 685mm for banqueting. 750mm is also available for conferences.

Tops:

Available in hush, wood veneer, laminate or truwood laminate and only T1 Square edge is available. Solid timber lipping is also an option.

Legs

Solid timber legs are available in three designs.

Linking Brackets:

Linking is secure, allows a variety of configuration without tools and eliminates double legs. Round overtops can convert a rectangular table for four people to a function table for eight people.

Layouts:

Digital layout plans can be created with CAD, optimising space utilisation and offering different options with the same number of tables.

Storage Space:

Storage space is saved as this system allows for normal restaurant usage with only linking and folding elements in store.

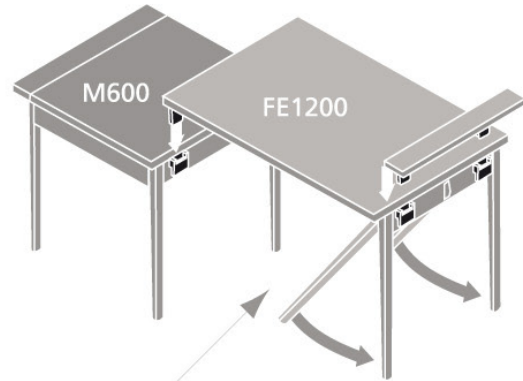
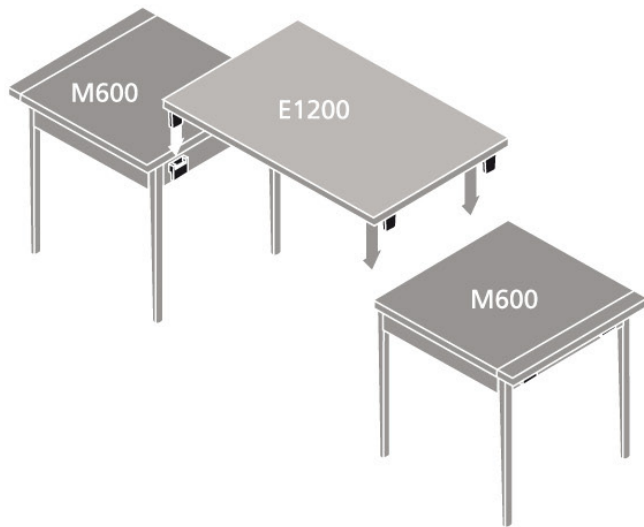
Morgan Contract Furniture Ltd

Clovelly Road Southbourne
Emsworth Hampshire, PO10 8PQ UK
T: 01243 371 111 F: 01243 378 796
E: info@morganfurniture.co.uk W: www.morganfurniture.co.uk

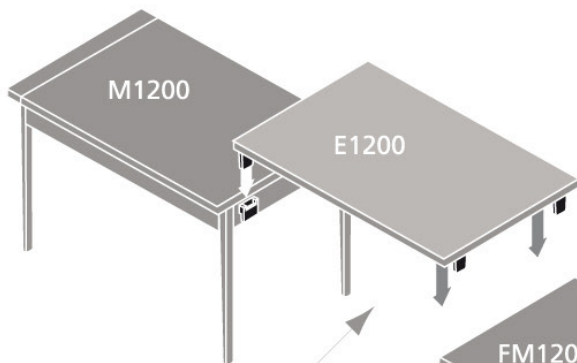


Morgan Lockinlyne

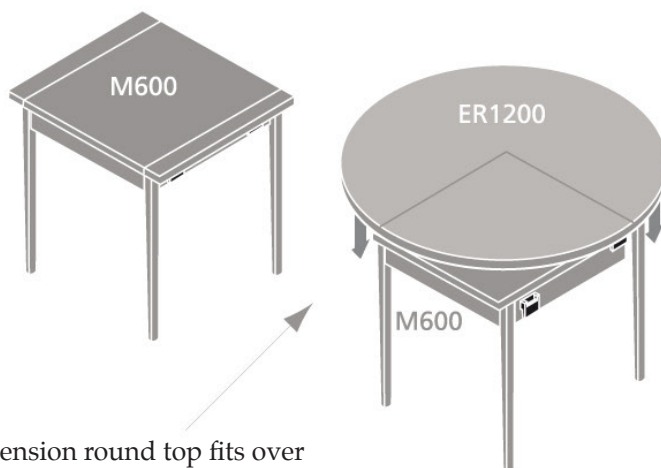
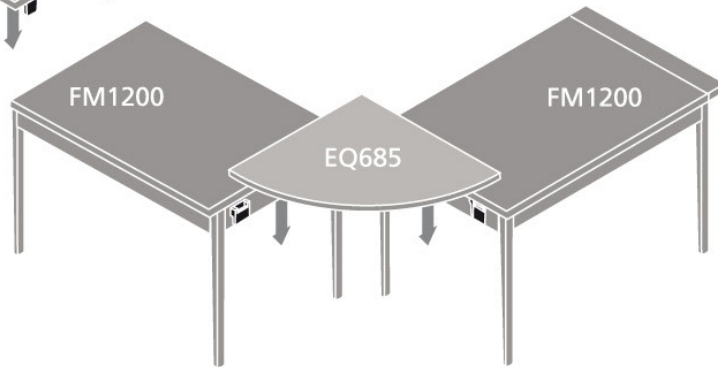
Modular Examples



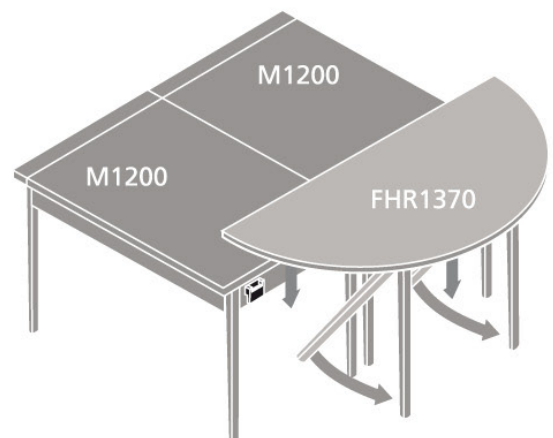
Folding extension fits on the end of the folding (or fixed) master table.



Extension top between two master tables.



Extension round top fits over the folding or fixed master table.

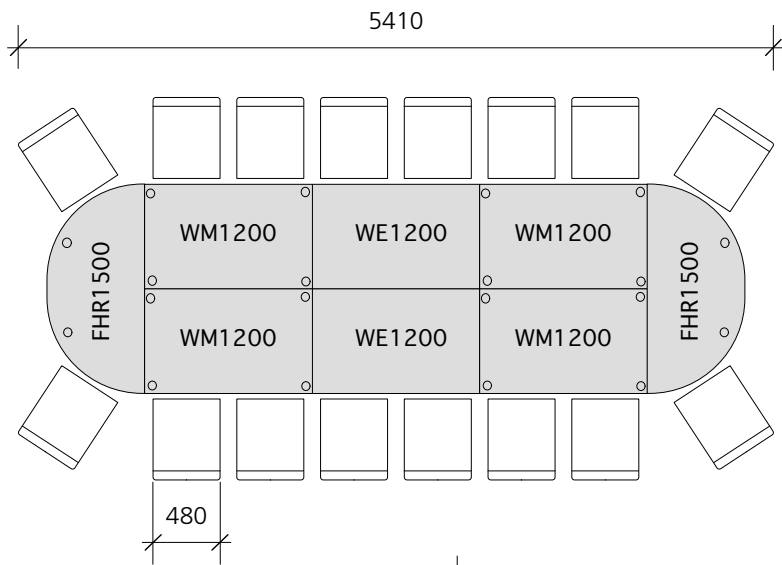


Morgan Lockinlyne

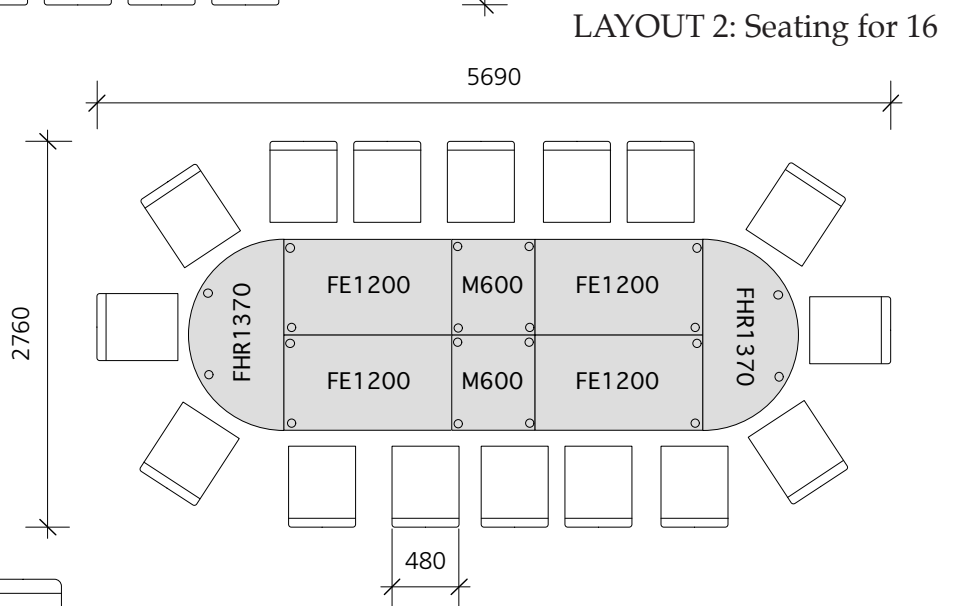
Lockinlyne Components



685				
750				
685				
750				
685				
750				
685				
750				
685				
750				

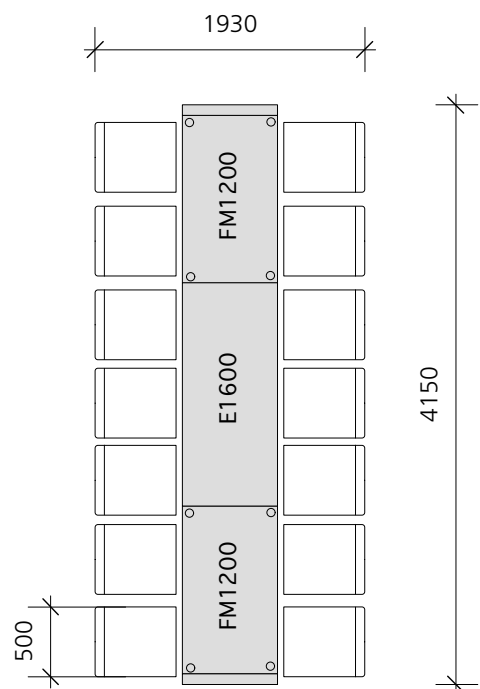
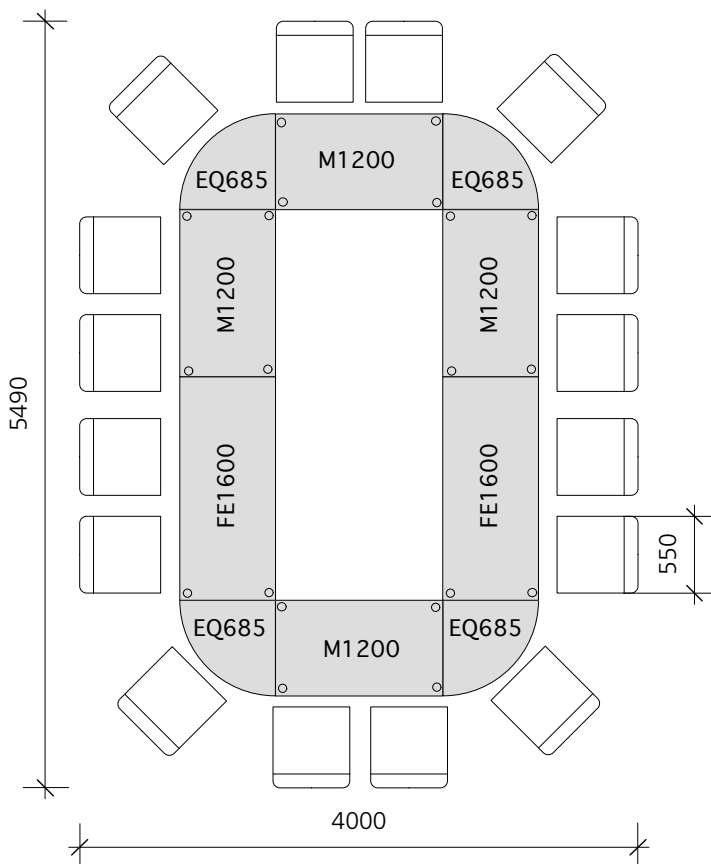


LAYOUT 1: Seating for 16

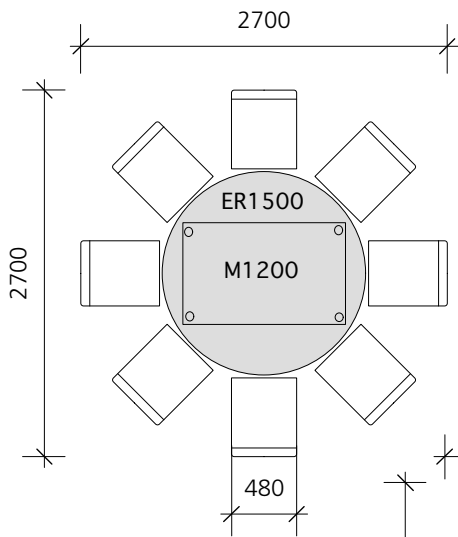


LAYOUT 2: Seating for 16

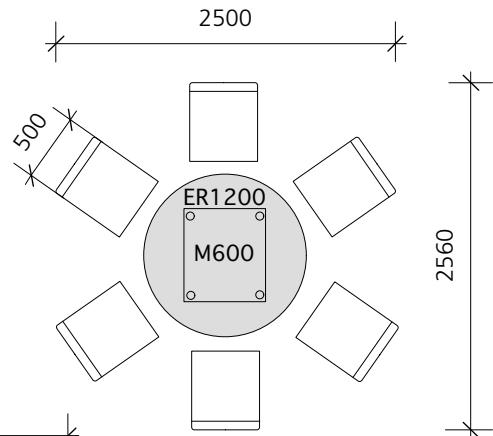
LAYOUT 3: Seating for 16



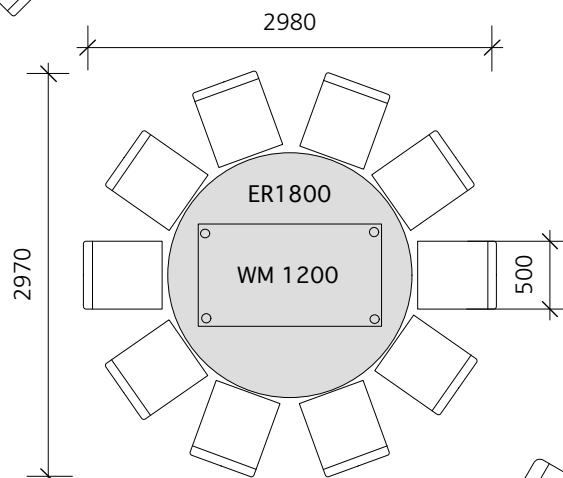
LAYOUT 4: Seating for 14



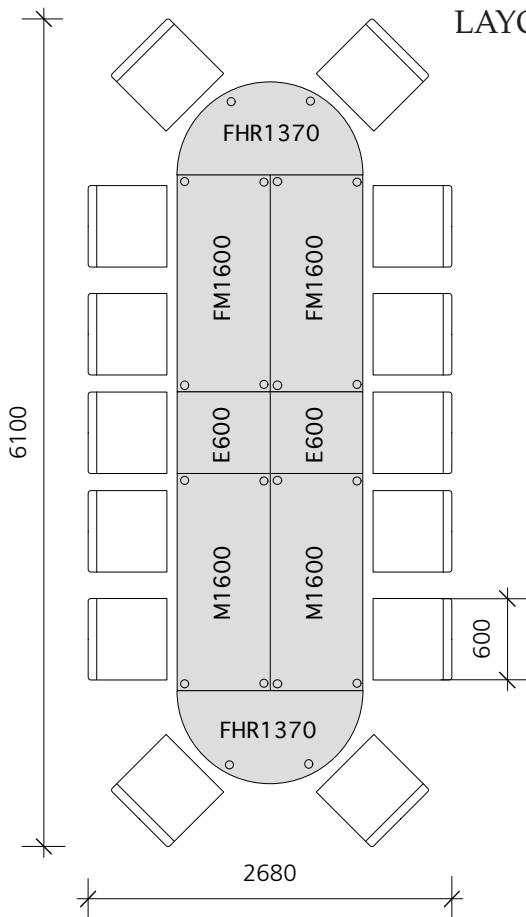
LAYOUT 5: Seating for 8



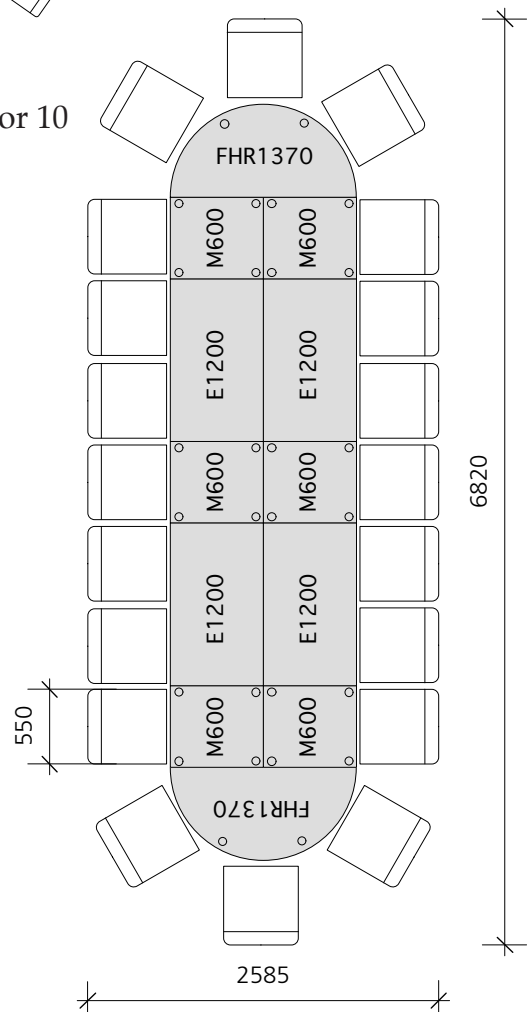
LAYOUT 6: Seating for 6



LAYOUT 7: Seating for 10

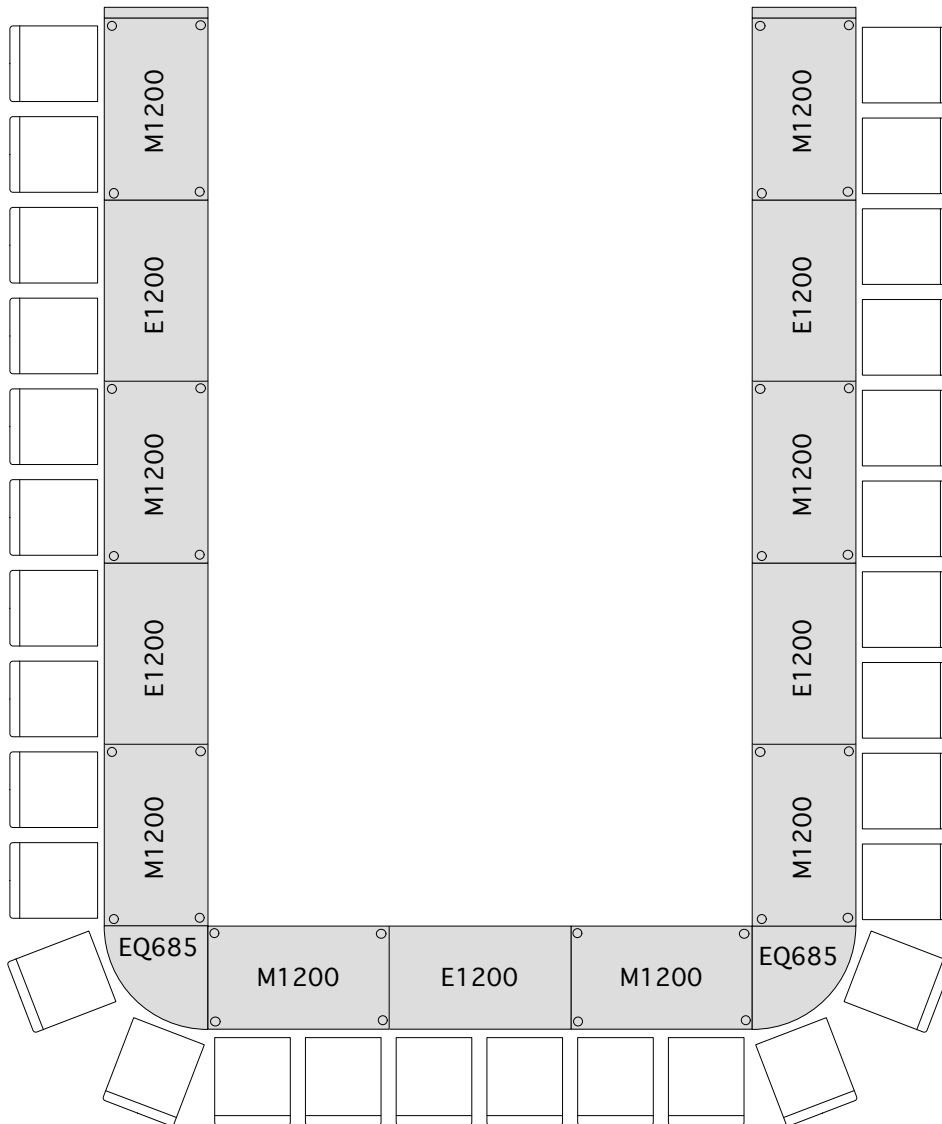
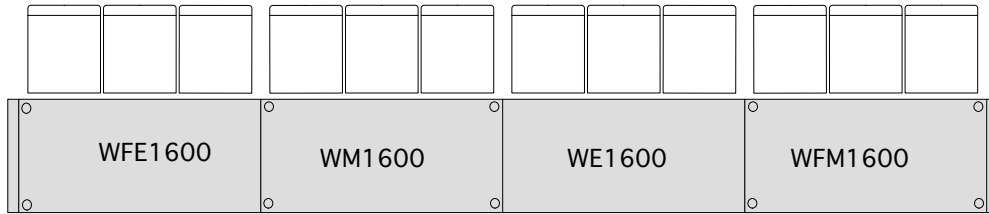


LAYOUT 8: Seating for 14



LAYOUT 9: Seating for 20

LAYOUT 10: Conference U-shape 8 top table - seating for 42



LAYOUT 11: Function layout round tables 8 top table - seating for 56.

